

The image features a dynamic splash of clear blue water against a white background. The water forms a large, circular ring in the center, with various droplets and splashes radiating outwards. The word "aquatech" is written in a bold, blue, sans-serif font across the middle of the water ring. Above the letters "aqua" is a stylized blue wave graphic consisting of two parallel lines that curve upwards and then downwards, resembling a wave crest.

**aquatech**



A HOT  
WATER  
EVOLUTION!

# RAPID/X6

Performance-driven compact heat pump with storage and heating capacity for the largest homes. Make the switch to high-efficiency affordable hot water.



## HIGH EFFICIENCY RATING

350% efficiency rating reduces annual running costs.



## ELIGIBLE FOR REBATES

Save thousands off the cost of a new system.



## INTEGRATED 210L TANK

Provides enough hot water for 6 people.



## HYBRID TECHNOLOGY

Five heating modes to match hot water demands.



## SOLAR PV COMPATIBLE

Integrated timers to synch with home Solar PV.



## BUILT TOUGH

Full metal corrosion resistant exterior no cheap plastics.



## 5YR REPLACEMENT WARRANTY

Backed by Aquatech for peace of mind.





**IN THE MARKET FOR A NEW HOT WATER SYSTEM?**

**FINDING IT HARD TO DECIDE WHICH ONE WILL MEET YOUR NEEDS & BUDGET?**

**CONFUSED BY THE VARIOUS MODELS/SIZES/FUEL SOURCES?**

You are not alone; purchasing a hot water system has become a complicated and costly process with a greater variety of designs and an overload of information regarding rebates and running costs.

At Aquatech, we wanted to help eliminate the confusion and worry from your decision-making process, so we developed our **RAPID/X6** heat pump. A single Hot Water System that delivers everything you need at a price you can afford.

# RAPID/X6

## TICKS ALL THE BOXES

- ✓ Large capacity to provide enough hot water for your whole family.
- ✓ Quick recovery setup, to deliver hot water when you need it most.
- ✓ Affordable to purchase & install, cut's power bills & saves you money.
- ✓ Great for the environment & helps fight global warming.
- ✓ Clean aesthetics, compact design & modern colour scheme to compliment your home.
- ✓ Eligible for State & Federal government rebates so you pay less.
- ✓ Independently tested in Australia, for reliability and performance.
- ✓ Designed by Australians for Australia's unique climate & weather conditions.
- ✓ Built to last with warranties & service you can trust.

Ticked all the boxes?

Sounds just like what you are looking for?

Surprised one hot water system could offer all this and more?

That is why the  
**RAPID/X6** is a true  
**Hot Water Evolution....**

**BUY and Install Quote**



# HOW MUCH IS HOT WATER COSTING YOU?

Installing the wrong hot water system could cost you thousands of dollars in extra running costs, so it's not a decision you want to leave up to chance. Our savings sheet provides a quick and easy way to compare the **RAPID/X6** annual & lifetime running costs with other water heaters, so you can decide which system suits your home.

## ANNUAL RUNNING COSTS



**RAPID/X6  
SOLAR P.V**



**RAPID/X6  
STANDARD**



**ELECTRIC  
CONTROLLED  
TARIFF**



**ELECTRIC  
CONTINUOUS  
TARIFF**



**GAS  
NATURAL**

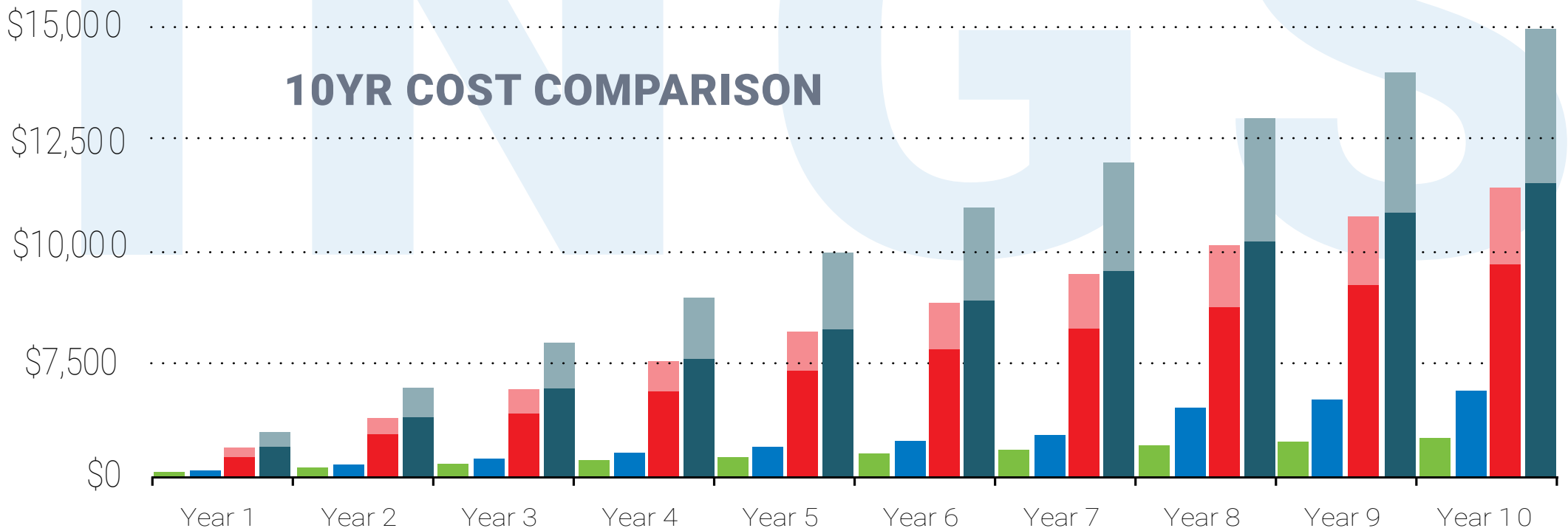


**GAS  
BOTTLED**



## A LIFETIME OF SAVINGS

For a RAPID/X6 home rising energy prices means greater savings, and when you consider that each RAPID/X6 is designed to offer you 10+ years or more of service, these savings start to add up. So make a more intelligent choice and install a RAPID/X6 today, and we guarantee you will save thousands of dollars over the system's lifetime - compared to a traditional electric or gas hot water system.



The figures presented should only be used as a guide to assist in your decision making. We have tried to be as accurate as possible, however we cannot represent every installation scenario. Calculations have been determined based on the following parameters: AS/NZS4234 -Medium Load/Zone 3 Solar = 10c/kWh / Controlled = 17c/kWh / Continuous = 23c/kWh / Gas = 4.5c/Mj / LPG = 6.5c/Mj



Thanks To  
Government  
Rebates  
It's Never Been  
More Affordable!



# REBATE ENTITLEMENTS BASED ON INSTALLATION TYPE

QUEENSLAND

To help homes switch to low-emission hot water systems, Federal & State governments are currently offering generous rebates worth thousands of dollars for installing a RAPID/X6. So there has never been a better time to Switch & Save!

**\$920.00**

**RAPID/X6 REPLACING ELECTRIC HEATER**

**\$920.00**

**RAPID/X6 REPLACING GAS HEATER**


**\$920.00**

**RAPID/X6 REPLACING SOLAR OR HEAT PUMP**

**\$920.00**

**RAPID/X6 INSTALLED IN A NEW BUILD**

The figures presented should only be used as a guide to potential rebate entitlements and may vary based on your postcode and ability to meet eligibility requirements. We have tried to be as accurate as possible, however we cannot represent every installation scenario. Rebates have been determined based on the following parameters:  
23 STCs for all installs in QLD value = \$40.00 per STC



# HOT WATER FOR THE WHOLE FAMILY

The RAPID/X6 is a single-model solution with storage and heating capacity to meet large hot water demands in a compact design that is practical & efficient to install in smaller homes

With a unique quick recovery design, the RAPID/X6 heats more frequently and faster to deliver a reliable hot water source when you need it the most.



## 40 minutes showering

When fully heated the RAPID/X6 can provide 40 minutes of continuous showering, for a standard 9L/min shower head and 15°C cold water temperature.

## 3 hour recovery

Even if you use all the available hot water, the RAPID/X6 high heating capacity can recover the full tank back to 45°C shower temperature in under three hours, on a mild day.



## 6 person rating

The RAPID/X6 has been rated Large Load capable to Australian Standard AS/NZS 4234. That's enough hot water capacity for a six-person home.



The image features a grey hot water tank on the left side. A hand is shown interacting with a control panel on the tank, which has a digital display showing '60.60' and '23.1'. The background is a dynamic splash of blue water. The text 'HOT WATER JUST GOT SMARTER' is prominently displayed in the upper right quadrant, with 'HOT WATER' in blue and 'JUST GOT SMARTER' in red and blue.

# HOT WATER JUST GOT SMARTER

We put all the innovations we have developed over a decade of designing heat pumps into the **RAPID/X6**. To deliver our smartest, most reliable hot water system to date.

With multiple heating modes to match demand, integrated timers to optimise electricity tariffs or Solar PV and wifi connectivity for monitoring. The **RAPID/X6** gives you unparalleled control of your home's hot water.



## SOLAR COMPATIBLE

With built-in timers, we've made it simple to power the RAPID/X6 with home Solar P.V. Running on solar power can reduce hot water costs to less than \$100/yr.

## WIFI ENABLED

Homes are getting smarter, and so should your hot water system. The RAPID/X6 is Wifi enabled via the Tuya smart-home app—control and monitor from your phone or



## FIVE HEATING MODES

Boost the maximum set temperature by selecting HYBRID or HYBRID+ Selecting ECO mode reduces wasted energy. Experiencing a fault? Selecting ELEMENT will ensure you still have hot water.





# **HOT** WATER **aquatech** ENGINEERED **BY**

The RAPID/X6 looks tough because it is, with a full metal exterior and no cheap plastics that degrade over time.

The micro-channel heat exchanger is constructed from aluminium alloys, able to handle pressures 10x operating conditions.

The inner tank is constructed from 2.5mm thick sheeting & Class X enamel coated, double the industry standard. Protected by a non-sacrificial maintenance free anode.



## DURABLE DESIGN

Metal casings are laser cut and finished in cobalt grey for a minimal modern aesthetic and constructed from corrosion-restive zinc with no plastics ensuring long-term durability.

## PRECISION REFRIGERATION

The ultimate heat pump requires precise and reliable refrigeration. Electronic expansion valve regulates refrigeration flow within athousandth degree. The micro-channel heat exchanger is rated for 10x operating pressure.



## HEAVY-DUTY TANKS

Tanks are constructed from 2.5mm sheeting and X-class enamel coatings, twice the industry standard's thickness, protected by non-sacrificial anodes that never need changing.





**Bevan Flesser**

★★★★★ 1d ago · Verified

## It is perfect for us

Less noise than previews one is not expensive to run nothing can get into fan like frogs in the middle of the night we don't have a very high demand the water temp is very good



**Chris Kelly**

★★★★★ 5d ago · Verified

## Fantastic hot water system

We have 6 in the family, keeps water and family nice and warm and clean all year round! I would highly recommend this product



**Tony s.** Richmond-Tweed, NSW · 4 posts

★★★★★ 2w ago · Verified

## so energy efficient

We have solar and now run our Aquatech heat pump in the middle of the day so its costs us nothing to run. It only runs for about an hour and you can hardly hear it. Next morning when we have hot showers the water is still 46-50 degrees. This is the smartest way to save money for your home.



**Marc Ruxton**

★★★★★ 3w ago · Verified

## Wonderful product

Very quiet, never run out of hot water, adjustable heat setting is perfect as we like a hot hot shower. Our power bill is down by 30 percent already

★★★★★ **4.8** from [143 reviews](#)





5 YEAR PARTS

2 YEAR LABOUR



# BACKED BY A WARRANTY YOU CAN TRUST

The RAPID/X6 is supported by a Five Year Replacement Warranty, covering the tank, electronics, and refrigeration. Should any components experience an unreparable failure we will supply a new system free of charge within the warranty period.

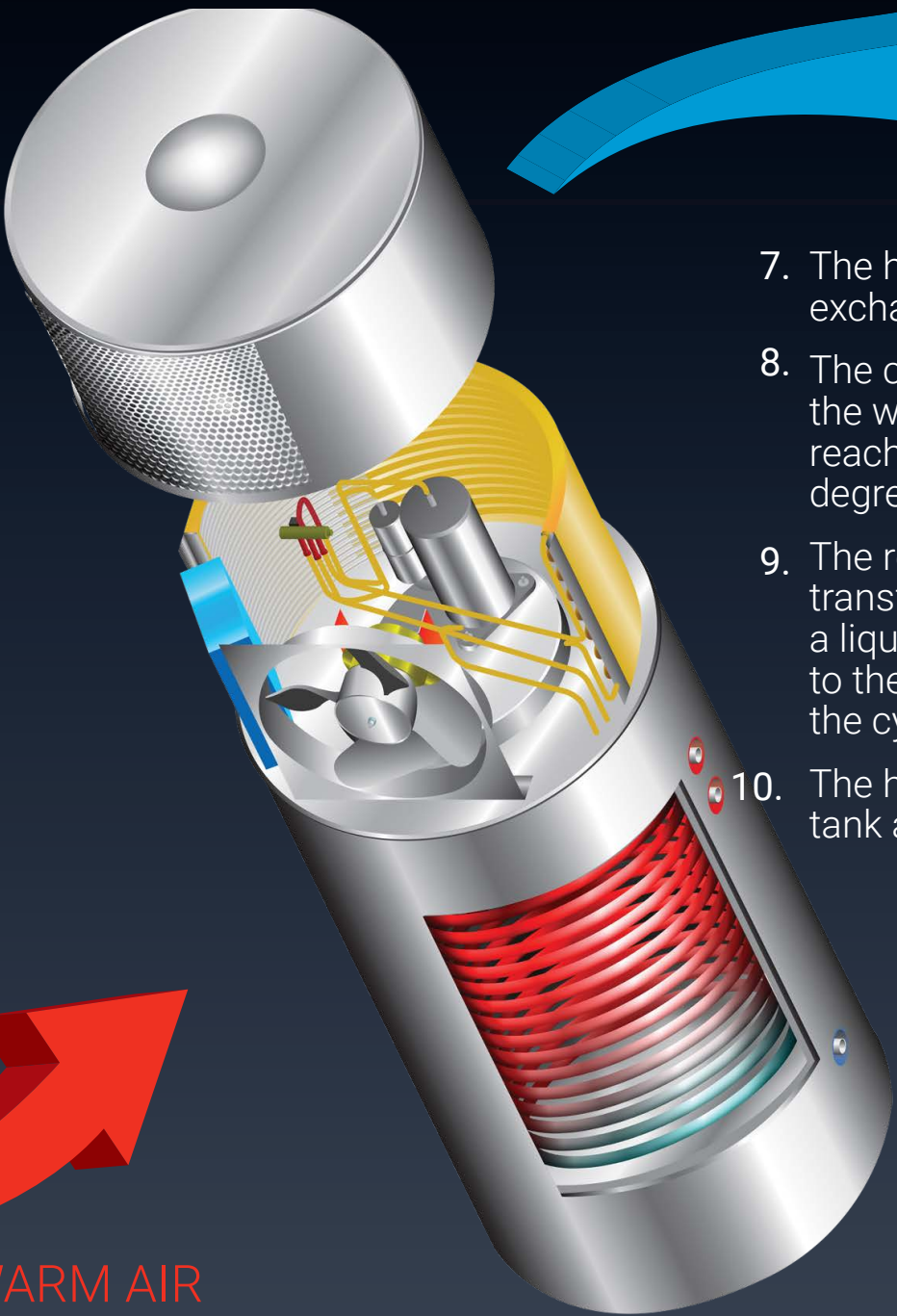
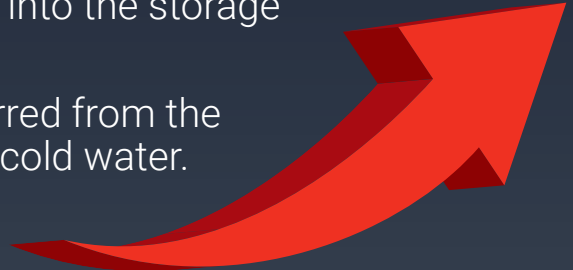
[DOWNLOAD THE OWNERS MANUAL](#)

# RAPID/X6

## HOW IT WORKS

1. The heat pump fan pulls hot air (ambient energy) from the surrounding atmosphere into the machine and across the evaporator.
2. The Ambient Air Energy is absorbed from the atmosphere by the eco-friendly R290 refrigerant stored inside the evaporator coils.
3. The refrigerant goes through a state of change from a liquid to a gas. The gas is then charged & sent to the compressor.
4. The gas refrigerant is then compressed to extremely high pressures, generating dramatic increases in heat.
5. The super heated refrigerant gas travels down our patented double coil heat exchange and into the storage tank.
6. The heat is transferred from the exchanger into the cold water.

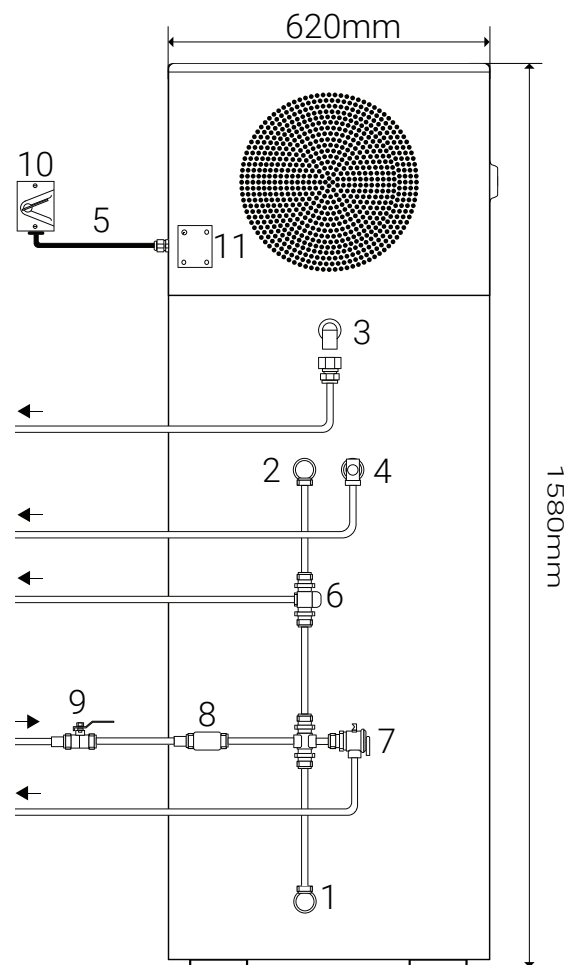
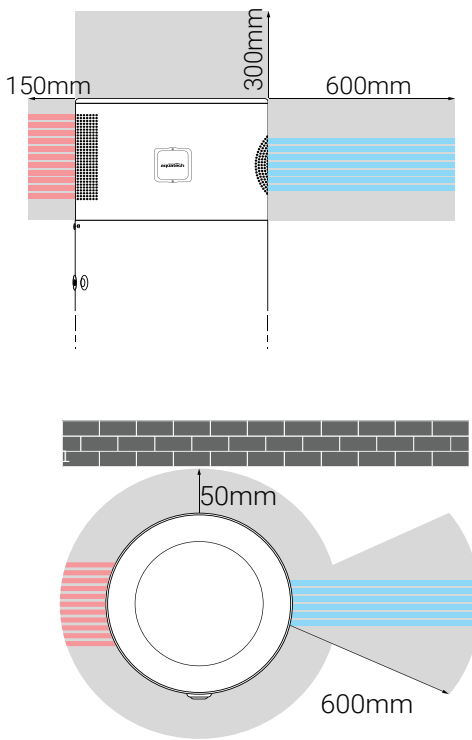
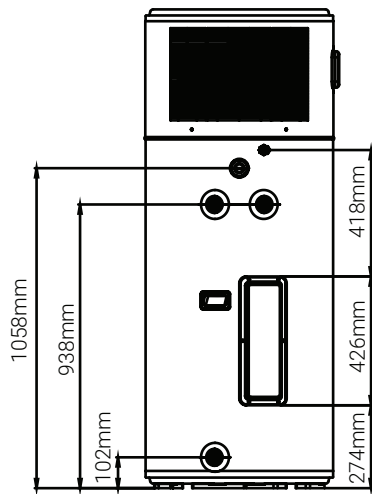
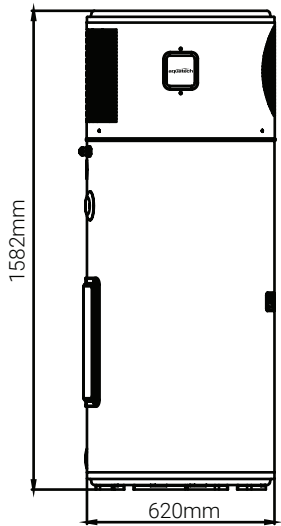
WARM AIR



COOL AIR



7. The heat is transferred from the exchanger into the cold water.
8. The cycle continues until all the water in the storage tank reaches an average 60°C degrees ready for use.
9. The refrigerant having transferred it's heat returns to a liquid state & is pumped back to the evaporator ready to begin the cycle again.
10. The heated water rises in the tank and is now ready for use.



1. Cold water supply outlet (3/4" female thread)
2. Hot water outlet (3/4" female thread)
3. Condensate drainage elbow\*
4. PTR relief valve\* (1/2" female thread 850kPa)
5. Electrical cable
6. Tempering Valve (high performance recommended)
7. Expansion Control Valve (ECV)  
(if required by council - 700kPa)
8. Pressure Reduction Valve (PRV - 500kPa)
9. Non-return Isolation valve
10. Electrical access (50mm min.)
11. Electrical access dish (50mm min.)

Electricity Supply	220-240 V/50-60 Hz
Circuit	10 Amp/Single Phase
Power Connection	Hardwired/Isolated
Tariff Connection	Continuous/Shoulder/TOU
Compressor Rating	700-900 W
Element Rating	1800 W
Protection Class	IPX4
Refrigerant	R290 (350g)
Tank Material	Vitreous Enamel
Tank Storage Capacity	210L
Condensate Connection	1/2" Elbow (supplied)
Water Connections	3/4" G
PTR Rating	850 kPa (supplied)
ECV Rating	700 kPa (suggested)
Pressure Reduction Valve	500 kPa (max.)
Tempering Valve	High Performance (suggested)
System Weight	108 kg
System Dimensions	620 mm x 1582 mm
Packed Weight	125 kg
Packed Dimensions	700 mm x 700 mm x 1750 mm
Minimum Base Size	600 mm x 600 mm

Operating Modes	Eco, Standard, Hybrid, Hybrid+
Max. Temp. Heat pump	60°C
Max Temp. Element	70°C
Tank Recovery (heat pump)	223 minutes*
COP (heat pump)	4.25*
Heating capacity (heat pump)	2.65kW*

\*210L with 40°C water temperature rise at 19°C air temperature



TOLL-FREE 1300 769 904  
[info@aquatechheatpumps.com.au](mailto:info@aquatechheatpumps.com.au)  
[www.aquatechheatpumps.com.au](http://www.aquatechheatpumps.com.au)